

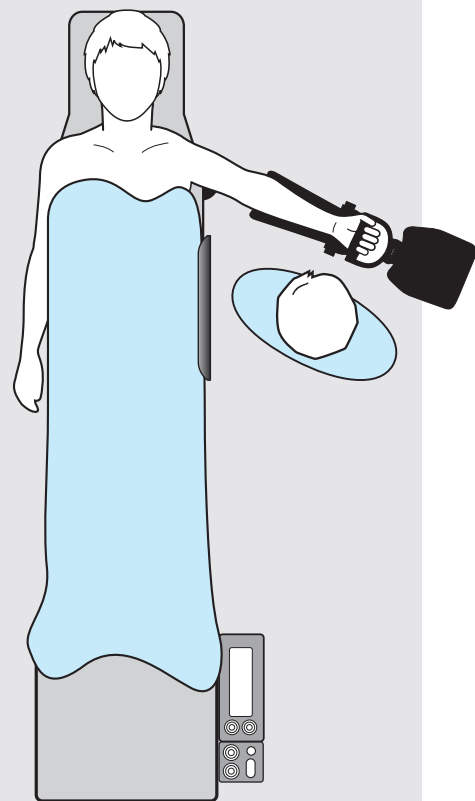
IR SYSTEM

Adept Medical introduces the IR SYSTEM. Comprising the Adept STARBoard, Extension Tray and IR Shield, it is a complete, clinically engineered solution for left side radial procedures.

The IR System provides unequalled patient comfort and ease of use for clinicians. Designed to work with any radiology procedure table, the IR System is quick to install and adjust to variations in patient size. Set-up is achieved in seconds and no consumable components are required.

STARBOARD

A key function of the STARBoard is its ability to present the patient's wrist in the hyper-extended position whilst access is achieved, then simply return it to a more relaxed, medially-rotated position, for the duration of the procedure, allowing greater patient comfort.



KEY FEATURES

Quick set-up

Easy positioning

Patient comfort

Scatter radiation shielding

Fits all tables

Radiolucent carbon fibre

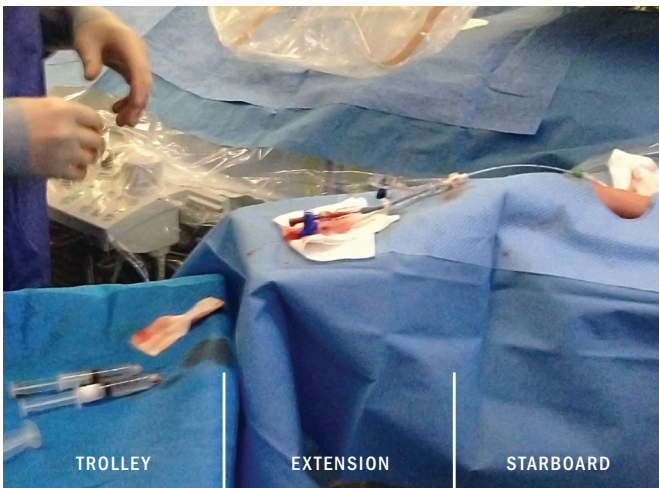
The fully articulated arm support conforms to all patient sizes and physiologies in any arm position without the need to release the arm for adjustment. This allows the operator to position themselves where they would like during the procedure, with full patient comfort.

With its adjustable cone friction bearings and slider joints, parts can rotate and slide yet remain in place in their set positions.

Crafted in carbon fibre for superior strength, radiolucency and durability, the STARBoard is extremely light weight and compact.

EXTENSION TRAY

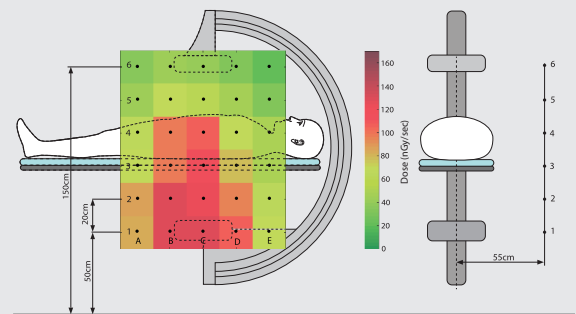
The clip-on Extension Tray transitions your guide wire from the radial access site to your draped trolley and also provides a stable work surface for wire manipulation.



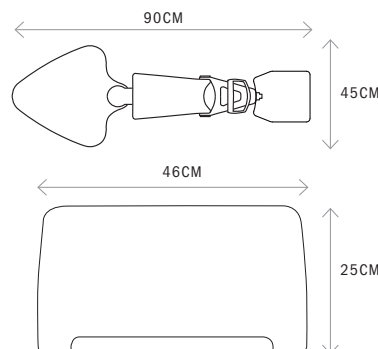
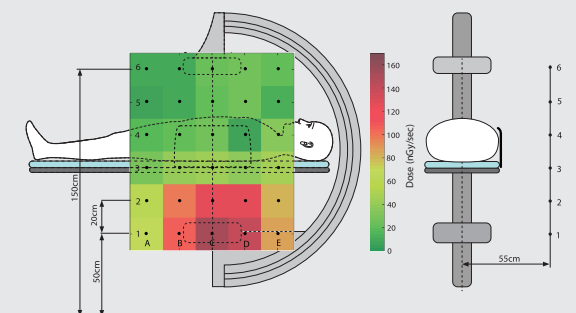
IR SHIELD

The vertical Shield provides X-Ray scatter radiation protection. For a full radiation report visit www.adeptmedical.com/ir-system

Zero Gantry Tilt Operator Dose - No Shield



Zero Gantry Tilt Operator Dose - With Shield



SPECIFICATIONS

STARBoard + Extension Tray
Product code: AM0180

IR Shield
Product code: AM0500

STARBoard weight: 0.8Kg
Extension Tray weight: 0.1Kg
IR Shield weight: 1.5Kg



EC REPRESENTATIVE

Emergo Europe
Prinsessegracht 20
2514 AP The Hague
The Netherlands



For more information please visit
www.adeptmedical.com/ir-system