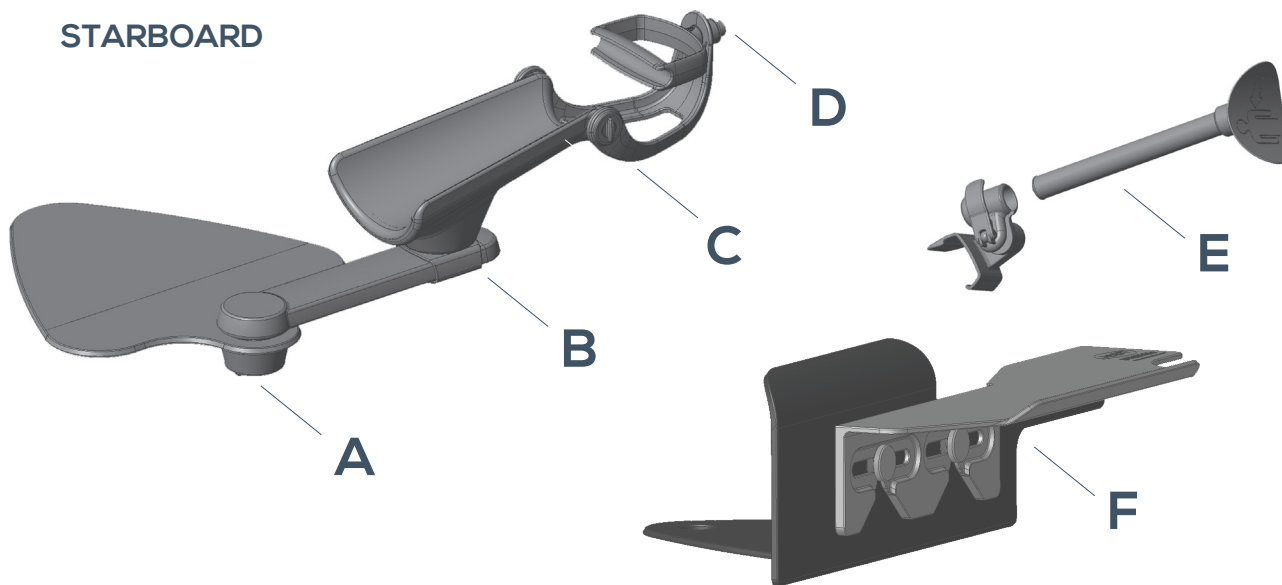


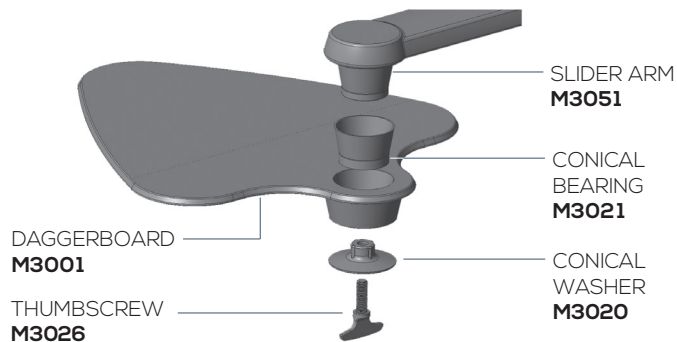
Please visit adeptmedicaltraining.com/product-maintenance for detailed product maintenance instructions.

STARSYSTEM

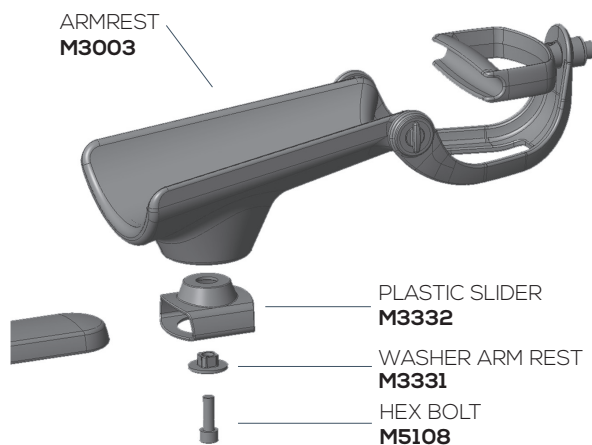
STARBOARD



A

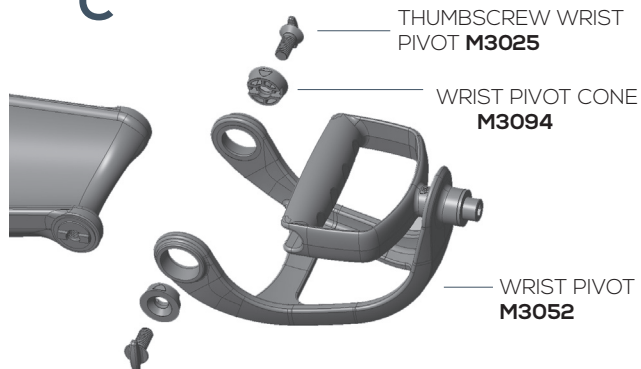


B Tool required: 18mm Socket



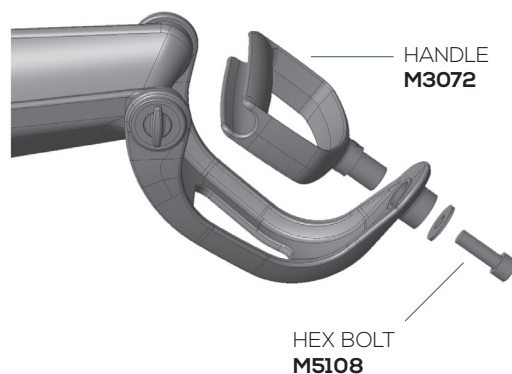
 Please visit adeptmedicaltraining.com/product-maintenance for detailed product maintenance instructions.

C



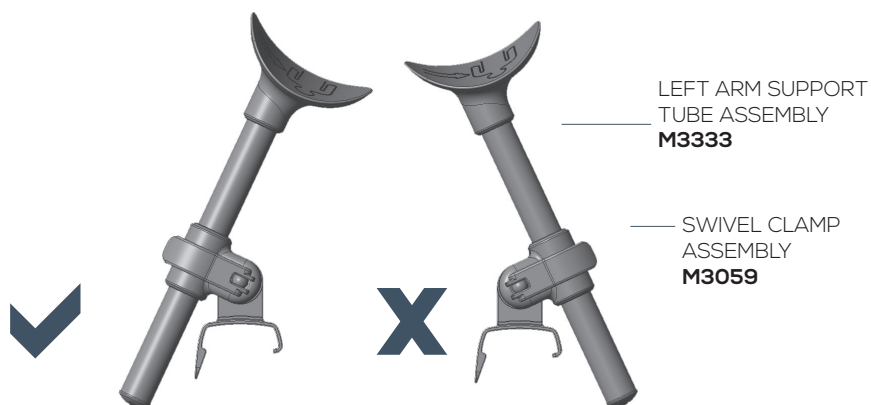
D

Tool required: 18mm Socket



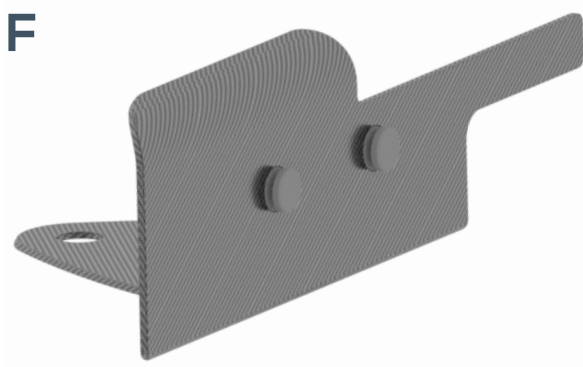
STARSUPPORT

E



STARTABLE

F



STARTABLE SHIELD **M3095**



STARTABLE SHELF **M3100**



Please visit adeptmedicaltraining.com/product-maintenance for detailed product maintenance instructions.

IR SYSTEM

STARBOARD + EXTENSION TRAY



EXTENSION TRAY
M3334



STARBOARD (Refer to page 1-2)

IR SHIELD



DAGGERBOARD
M3677



X-RAY SHIELD
AM0630

ARMSURE



ARM SUPPORT
M5109



ARM SUPPORT XR
M3087



X-RAY SHIELD
AM0630



ARM STRAP
AM0620



Please visit adeptmedicaltraining.com/product-maintenance for detailed product maintenance instructions.

OVERHEAD ARM SUPPORT

ARMREST WING
M5504



LOCKING LEG ASSEMBLY
M5505



OVERHEAD ARM
SUPPORT DAGGERBOARD
M5506

ARM STRAP
AM0620



ANTEGRADE IR PLATFORM



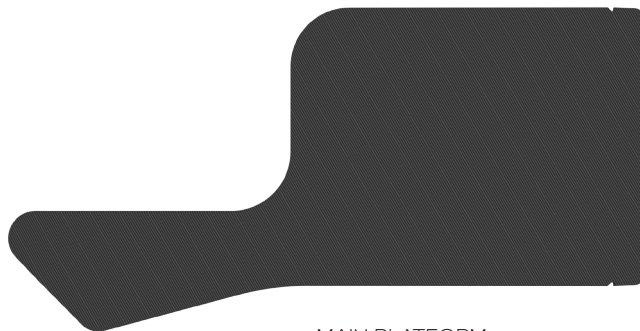
LEG
M3664



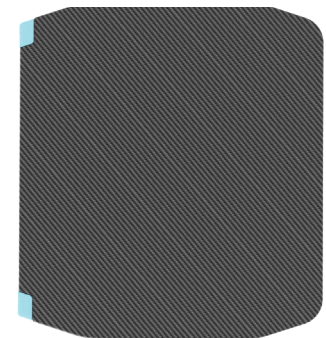
FRONT
BASE
M3662



REAR
BASE
M3663



MAIN PLATFORM
M6500



EXTENSION
M3661



Please visit adeptmedicaltraining.com/product-maintenance for detailed product maintenance instructions.

RETROGRADE IR PLATFORM



FRONT
BASE
M3662



REAR
BASE
M3663



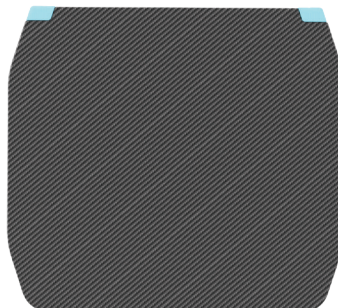
LEG EXTENSION
M3693



LEG
M3664



MAIN PLATFORM
M3660



EXTENSION
M3661