

COMPONENTS



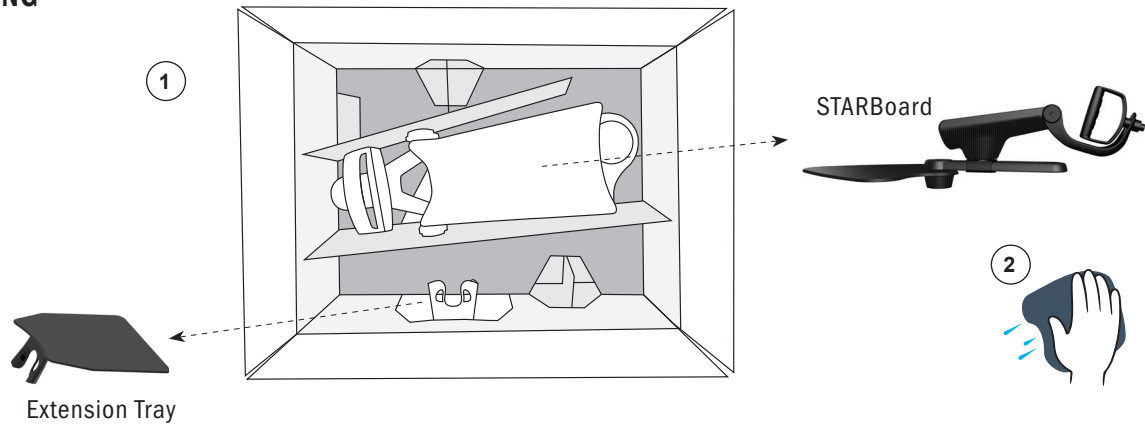
PRODUCT CODES

AM0180

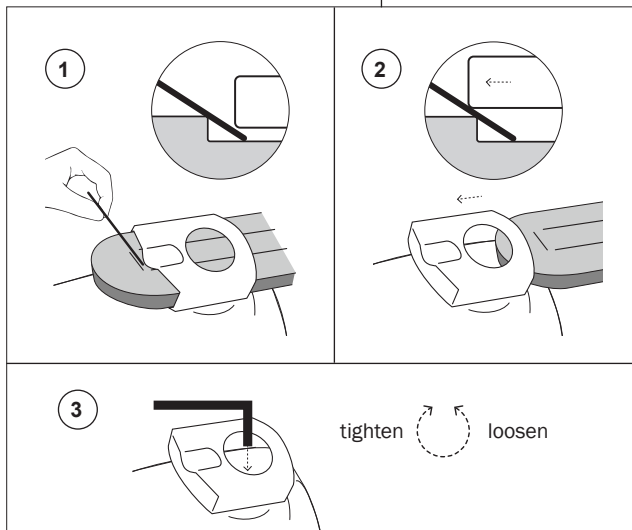
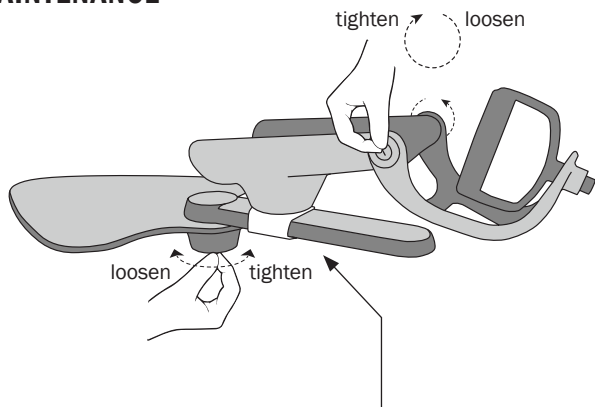
STARBoard x 1
Extension Tray x 1



UNBOXING



MAINTENANCE



CLEANING



Disinfect and wipe clean before/after each use. **DO NOT USE** any other sterilisation methods.



For an online training visit: AdeptMedicalTraining.com



For service and repairs visit AdeptMedical.com/repairs



For Approved Disinfectants PDF visit: AdeptMedical.com/ir-system



WARNINGS
Be careful not to entrap fingers



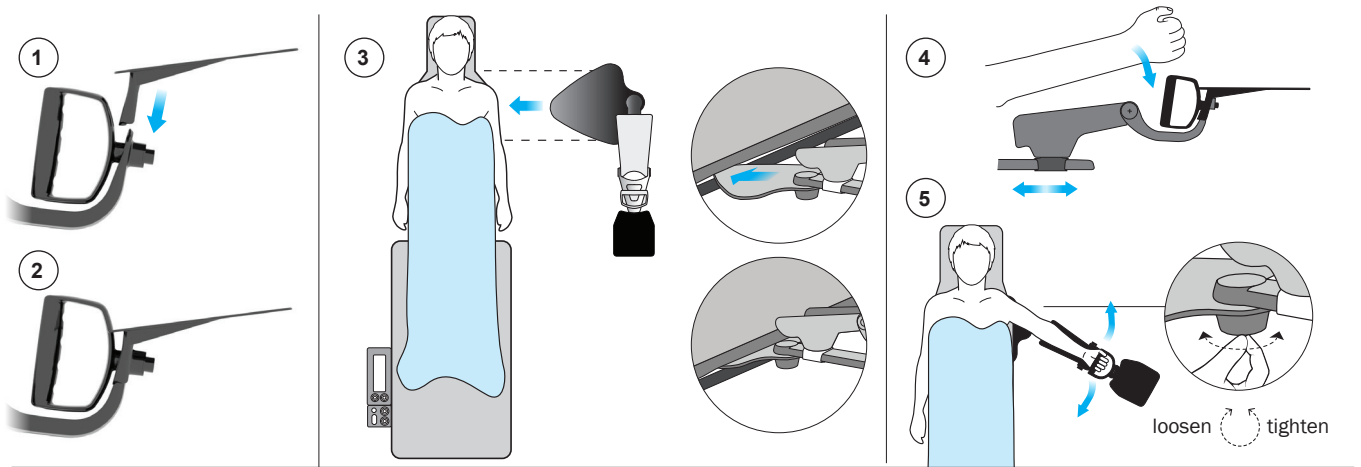
MANUFACTURER
Adept Medical Ltd
2-6 McDonald St, Morningside
Auckland, New Zealand
www.adeptmedical.co.nz



EC REPRESENTATIVE
Ergo Europe
Prinsessegracht 20
2514 AP The Hague
The Netherlands

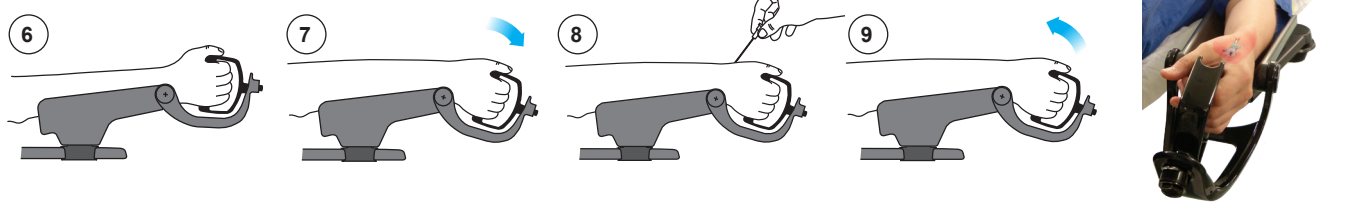


STARBOARD + EXTENSION TRAY PLACEMENT

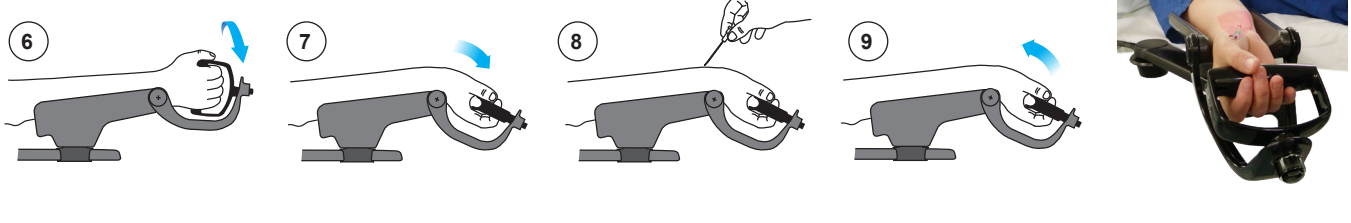


ARM POSITIONING OPTIONS

Distal Radial Access



Radial Proximal Access



Taping (optional)

